



Media Source 600
User Guide

MERIDIAN

Important safety instructions

- Read these instructions.
- Keep these instructions.
- Heed all warnings.
- Follow all instructions.
- Do not use this apparatus near water.
- Clean only with a dry cloth.
- Do not block any ventilation openings. Install in accordance with the manufacturer's instructions.
- Do not install near any heat sources such as radiators, heat registers, stoves, or other apparatus (including amplifiers) that produce heat.
- Do not defeat the safety purpose of the polarized or grounding-type plug. A polarized plug has two blades with one wider than the other. A grounding type plug has two blades and a third grounding prong. The wide blade or the third prong are provided for your safety. If the provided plug does not fit into your outlet, consult an electrician for replacement of the obsolete outlet.
- Protect the power cord from being walked on or pinched particularly at plugs, convenience receptacles, and the point where they exit from the apparatus.
- Only use attachments/accessories specified by the manufacturer.
- Unplug this apparatus during lightning storms or when unused for long periods of time.
- Refer all servicing to qualified service personnel. Servicing is required when the apparatus has been damaged in any way, such as power-supply cord or plug is damaged, liquid has been spilled or objects have fallen into the apparatus, the apparatus has been exposed to rain or moisture, does not operate normally, or has been dropped.

WARNING: TO REDUCE THE RISK OF FIRE OR ELECTRIC SHOCK, DO NOT EXPOSE THIS APPARATUS TO RAIN OR MOISTURE.

This apparatus has been designed with Class 1 construction and must be connected to a mains socket outlet with a protective earthing connection (the third grounding pin).

This apparatus uses a single-pole power switch. As a result it is not isolated from AC mains power when switched off at the rear panel. The apparatus may be isolated from mains power either by unplugging the power connector from the rear of the unit, or by unplugging the connector at the opposing end of the power cord or cable from its supply outlet. As a result, either or both of these connectors should remain accessible

Safety warnings

- Do not expose the unit to dripping or splashing.
- Do not place any object filled with liquid, such as a vase, on the unit.
- Do not place naked flame sources, such as lighted candles, on the unit.
- To avoid overheating leave at least 10cm around the equipment to ensure sufficient ventilation.
- Do not position the unit in direct sunlight, near heat sources such as a radiator, or directly on top of heat producing equipment, such as a power amplifier.
- To avoid interference do not position the unit near strong electrical or magnetic radiation, such as near a power amplifier.

Radio interference

FCC Warning: This equipment generates and can radiate radio frequency energy and if not installed and used correctly in accordance with our instructions may cause interference to radio communications or radio and television reception. It has been type-tested and complies with the limits set out in Subpart J, Part 15 of FCC rules for a Class B computing device. These limits are intended to provide reasonable protection against such interference in home installations.

EEC: This product has been designed and type-tested to comply with the limits set out in EN55013 and EN55020.



Copyright

Meridian Audio Ltd
Latham Road
Huntingdon
Cambridgeshire
PE29 6YE
England

Copyright © 2010 Meridian Audio Ltd.

Visit us on the Web:
<http://www.meridian-audio.com>

Part no: MS600 (P88391)

This guide was produced by: Human-Computer Interface Ltd,
<http://www.interface.co.uk/>

Unpacking

The Media Source 600 is supplied with the following accessories:

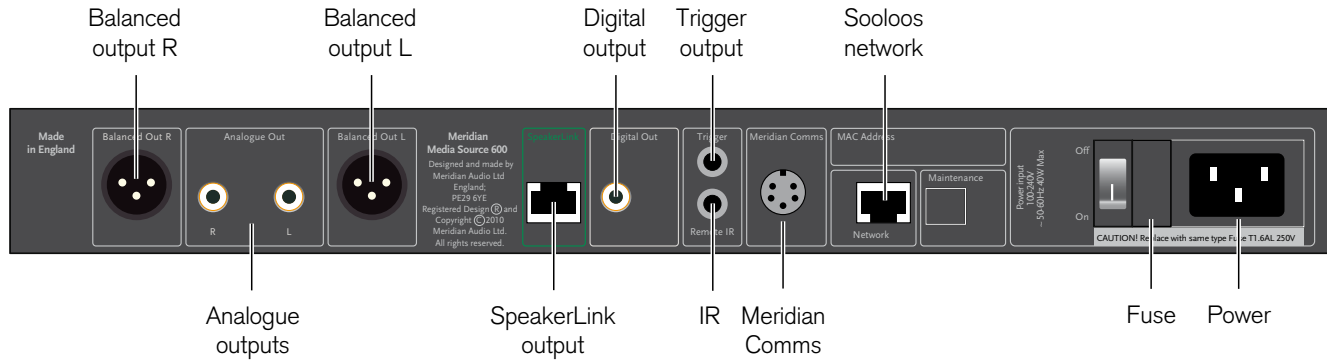
- Power cord.
- This manual.

If either of these items are missing please contact your dealer.

NOTE: You should retain the packaging in case you need to transport the unit.

Back panel

The following diagram gives details of the back panel connections:



Digital outputs

Use this output	To connect to this
SpeakerLink	Digital loudspeakers, using Meridian SpeakerLink leads.
Digital Out	The digital coax input of a digital preamplifier or digital speaker.

Analogue outputs

Use this output	To connect to this
Balanced Out L and R	The balanced analogue inputs of a preamplifier, power amplifier, or active speaker.
Analogue Out L and R	The analogue inputs of a preamplifier, power amplifier or active speaker.

Control connections

Use this connection	To connect to this
Network	A Sooloos system, using a CAT5 network cable.
Meridian Comms	Other Meridian equipment, or Meridian DSP loudspeakers.
Trigger output	Equipment that can be triggered by a 12V 100mA signal.
Remote IR	An IR eye, for remote control of the Media Source 600 using the MSR+.

Applications

To connect the Media Source 600 to an analogue amplifier

You can use the Media Source 600 to create an independent zone, with access to the music on your Sooloos system.

- Connect the Network socket to one of the LAN network connections on your Router, using a CAT5 cable.
- Make sure the WAN/Internet port on the Router is connected to the rest of your network, or to your Cable/DSL Modem.
- Connect the Analogue Out sockets from the Media Source 600 to the analogue inputs of the amplifier in the zone, using stereo phono leads.

If your amplifier provides balanced analogue inputs, use the balanced analogue outputs from the Media Source 600 for best performance.

You can then control the music in the zone containing the Media Source 600 from the Sooloos Control, or via the iPhone or iPad control application.

Advanced setup and configuration parameters can be accessed from a Meridian Sooloos Control device on your network, or from the Media Source 600's internal web interface found by navigating to the product IP address.

